

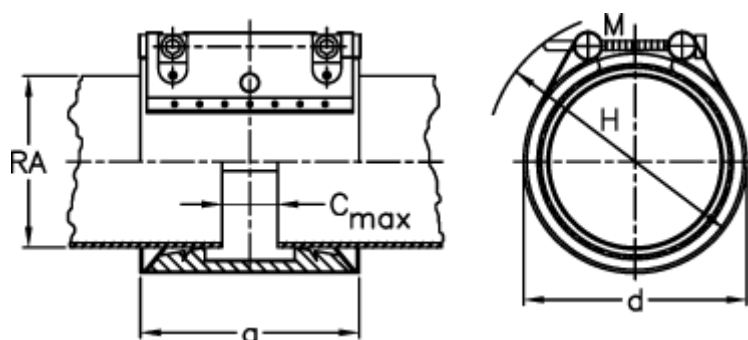
Data Sheet



Article number: 025789100038

Description: Norma Connect pipe coupling
GRIP W2 Ø=38,0 EPDM, 16 bar

Measures



a = 62.4

C max with insertion band = 8

d = 60

H = 80

M (screw) = M8

Nominal pressure (bar) = 16

RA = 38

RA min-RA max = 35,6-38,5

Weight a piece = 0.5